

## AZO Level indicators for use as full, empty or request indicator

### Sturdy design

### Maintenance-free

### Comprehensive safety

### ATEX Approval

### Preferred applications

Filling level indicators serve for reliable monitoring and signalling of the product levels in silos, containers etc. They can be used as full-, request- or empty indicators. Due to their sturdy and enclosed design, they are insensitive to external influences such as a high or low pressure, build-up of static electricity, bulk material residue on the probes and strong dust formation.

### Special advantages

- Compact design
- Sturdy construction
- Maintenance-free
- Reliable operation
- Insensitive
- Adaptable to pressure and vacuum
- Adjustable to very high or low temperatures

## THE INNOVATION



### How it works

**Full indicator:** When during the filling operation of silos or containers the product column rises and reaches the rotating blade, the slowly moving rotor is stopped. This causes the asynchronous motor in the body to change its position and to actuate a microswitch which emits a "full" signal. The rotor is stationary until the decreasing product level frees the rotating blade. The motor then returns to its initial position.

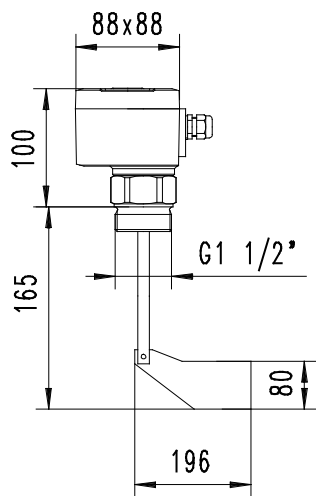
**Request, empty indicator:** When product is discharged and the level falls, the stationary rotor blade of the request or empty indicator is freed which causes a warning signal or switching impulse to be transmitted to the control system.

### Design

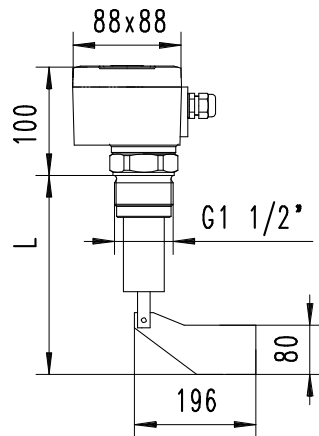
Cover and body are made of cast aluminium. All parts in contact with the product are made of stainless steel. If desired, the level indicators are available with a pressure resistance of up to 10 bar. Special versions for temperatures of up to 220°C in the containers are also available.

## Technische Daten

### FMN 3001



### FMN 3002 and 3004

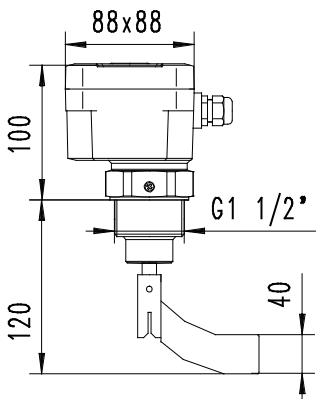


Type	L
FMN 3002	800
FMN 3004	165
FMN 3004	400

### Mechanical data

Container pressure: max. 0.8 bar  
 Container underpressure: max. 0.2 bar absolute  
 Seal: Special shaft sealing ring in NBR quality (bright) in accordance with FDA  
 Measurement vane rpm: 5 rpm  
 Permissible bulk weight: Dependent on installation position and geometry of the measurement vane  
 Bulk product: Suitable for almost all bulk products  
 Approval: ATEX II 1/2 D

### FMN 4001



### Mechanical data

Container pressure: max. 0.8 bar  
 Container underpressure: max. 0.5 bar absolute  
 Seal: Shaft sealing ring DIN 3760 in NBR quality  
 Measurement vane rpm: 5 rpm  
 Permissible bulk weight: min. 100 g/l  
 Bulk product: Granular and dust-free bulk materials

### Electrical data

Power connection: 230 V; 50 Hz  
 115 V; 60 Hz  
 24 V DC  
 Connected load: 3 VA (3W)  
 Protection type: IP 65  
 according to EN 60529