

## AZO Secondary Filter

### Type SF ... P (cartridge filter) and Type SF 500 with filter element

**Reliable protection  
for vacuum  
generators**

**Large-size filters**

**Automatic filter  
cleaning**

**Straightforward and  
quick installation**

**Fast filter dust  
disposal**

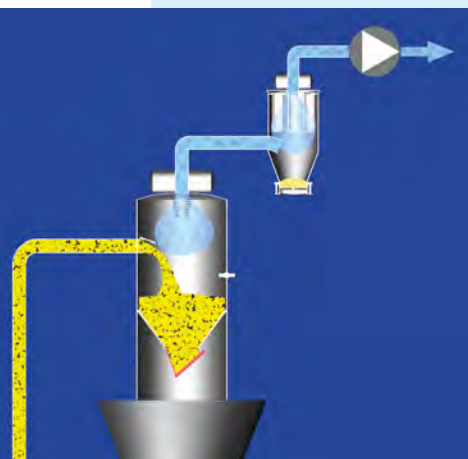
#### Preferred applications

In vacuum conveying systems for reliable product feed to processing machines in the food, plastics and chemicals industries processing granulated and powdered bulk material.

#### Special advantages

- The secondary filter removes dust from the granulate
- The secondary filter reliably prevents dust and impurities from entering the vacuum generator and causing malfunctions
- Reliable operation

### THE INNOVATION



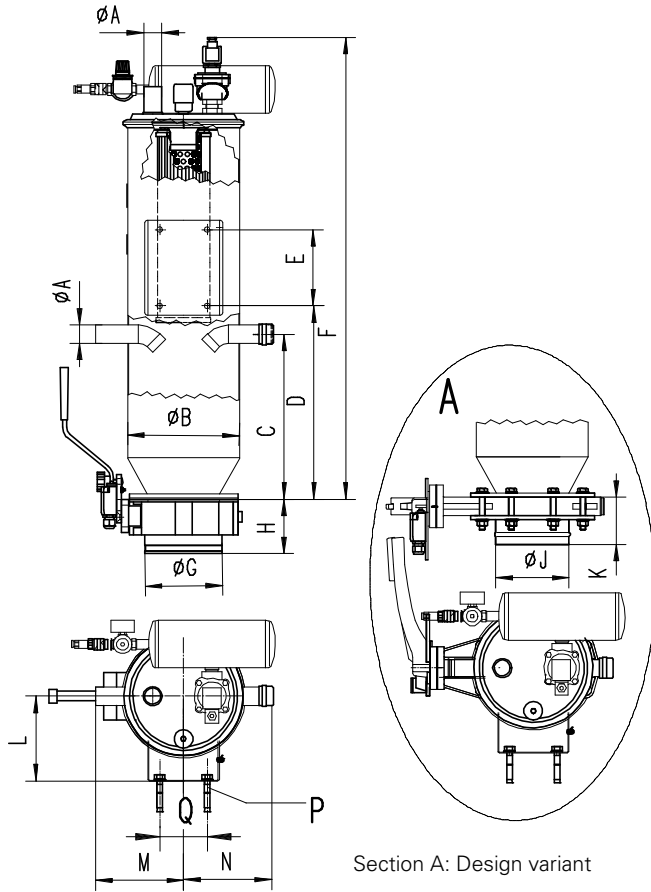
#### How it works

Since the receiver is only equipped with a primary filter, for safety reasons, a secondary filter is connected upstream of the vacuum generator thus reliably preventing dust and impurities entering the vacuum generator. The dust-laden air from the primary filter is directed via the connector into the secondary filter. The filter element separates product dust and delivery air. The dust collects in the filter housing. The cleaned air is routed via the clean air connection and clean air line to the vacuum generator

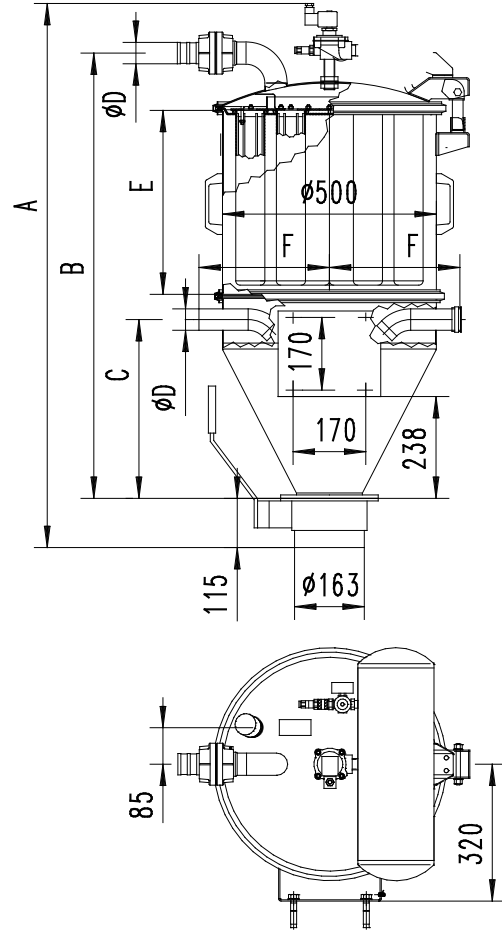
where it is discharged. The filters are cleaned automatically. The dust accumulated in the filter housing can be discharged by manual or automatic opening the butterfly valve in the collecting container mounted on the outlet.

## Technical data

### Secondary filter type SF... P



### Secondary filter type SF 500-...



Type	Ø A	Ø B	C	D	E	F	Ø G	H
SF 235 – 38 P	38	235	347 (345)	407 (405)	160	972 (970)	163	115
SF 320 – 50 P	50	320	366	407	160	1043	163	115

Type	Ø J	K	L	M	N	P	Q
SF 235 – 38 P	154	100	179	185 (165)	185 (165)	4 x M12	100
SF 320 – 50 P	—	—	230	230	230	4 x M12	100

( ) = Version A

Type SF	Filter in m <sup>2</sup>		Filter length in mm		A	B	C	Ø D	E	F
	Hose filter	Sinter filter	Hose filter	Sinter filter						
500-50	1.5	1.10	415	410	1272	1041	418	50	430	305
500-50	—	1.56	—	410						
500-50	—	1.94	—	410						
500-65	1.5	1.10	415	410	1566	1029	408	65	430	325
500-65	2.5	2.00	715	710						
500-65	—	2.80	—	710	1695	1474	523	80	724	360
500-80	2.5	2.00	715	710						
500-80	—	2.80	—	710						